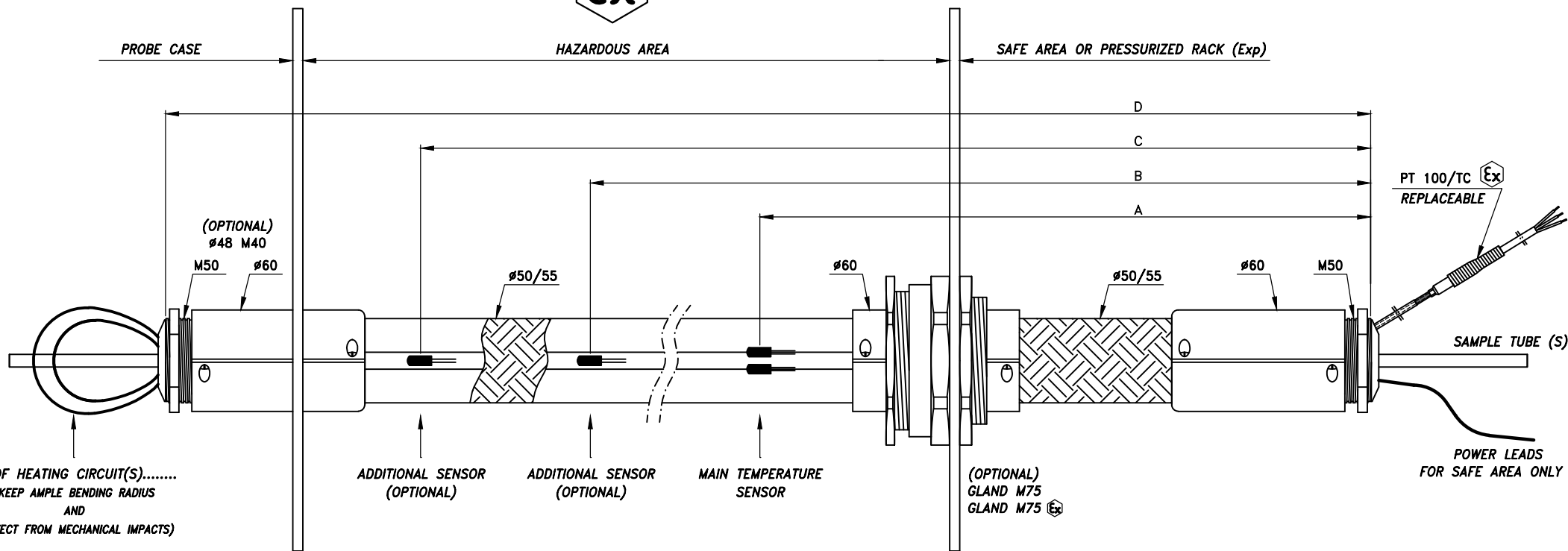




PROBE CASE

HAZARDOUS AREA

SAFE AREA OR PRESSURIZED RACK (Exp)



N° OF HEATING CIRCUIT(S).....
 (KEEP AMPLE BENDING RADIUS
 AND
 PROTECT FROM MECHANICAL IMPACTS)

ADDITIONAL SENSOR (OPTIONAL)
 ADDITIONAL SENSOR (OPTIONAL)
 MAIN TEMPERATURE SENSOR

(OPTIONAL)
 GLAND M75
 GLAND M75 Ex

PT 100/TC Ex
 REPLACEABLE

SAMPLE TUBE (S)

POWER LEADS
 FOR SAFE AREA ONLY

MEASURE mm

NOTE:

- TEMPERATURA MASSIMA DI LAVORO 180°C
- MAX OPERATING TEMPERATURE 180°C
- TEMPERATURA AMBIENTE -50/+60°C
- AMBIENT TEMPERATURE -50/+60°C
- RAGGIO MINIMO DI CURVATURA 300mm
- MINIMUM BENDING RADIUS 300mm

CUSTOMER: FABRICATION N° DATE:

- LENGTH OF HEATED LINE (D):m (see figure above)
- MAIN TEMPERATURE SENSOR (TYPE) LOCATED AT (A):m FROM ELECTRICAL CONNECTIONS (see figure above)
- ADDITIONAL SENSOR (TYPE) LOCATED AT (B):m FROM ELECTRICAL CONNECTIONS (see figure above)
- ADDITIONAL SENSOR (TYPE) LOCATED AT (C):m FROM ELECTRICAL CONNECTIONS (see figure above)

- HEATER ATEX CERTIFICATE ISSeP 10ATEX 015X
- DEKRA 14ATEX 0005U
- TEMP. SENSOR ATEX CERTIFICATE TUV 09 ATEX 373386 X
- SPECIFIC POWER ON THE HEATER W/m

- APPROVED BY:



REV.	CHANGE	DATE	VERIFIED	DRAWN UP
0	ISSUE	01/06/16		

RA CO
 NOVATE MILANESE (MI)
 ITALY
 info@racosas.com

Property of RACO sas no reproduction allowed.
 Proprietà RACO sas riproduzione vietata.

TITLE
 EX/S/TE LINEA ELETTRISCALDATA CON CAVO UNIPOLARE SERIE
 EX/S/TE HEATED LINE WITH SERIES RESISTANCE HEATER Ex

ORDER CUSTOMER

SHEET	DOC NO
1	
NEXT	DWG/FILE
0	13_1_EX
SCALE	